



# RS SERIES

## SCREW TO CONNECT ZERO LEAKAGE COUPLINGS



24

### INTRODUCTION

The Voswinkel RS pipeline couplings are a flat faced, screw together design that allows for connection under pressure without the inclusion of air or loss of fluid upon disconnection. The robust design is particularly well suited for severe pressure pulsation applications such as heavy construction and demolition equipment. The RS Series is only available with DIN 3861, metric tubing connectors for hard pipe installations.

### FEATURES

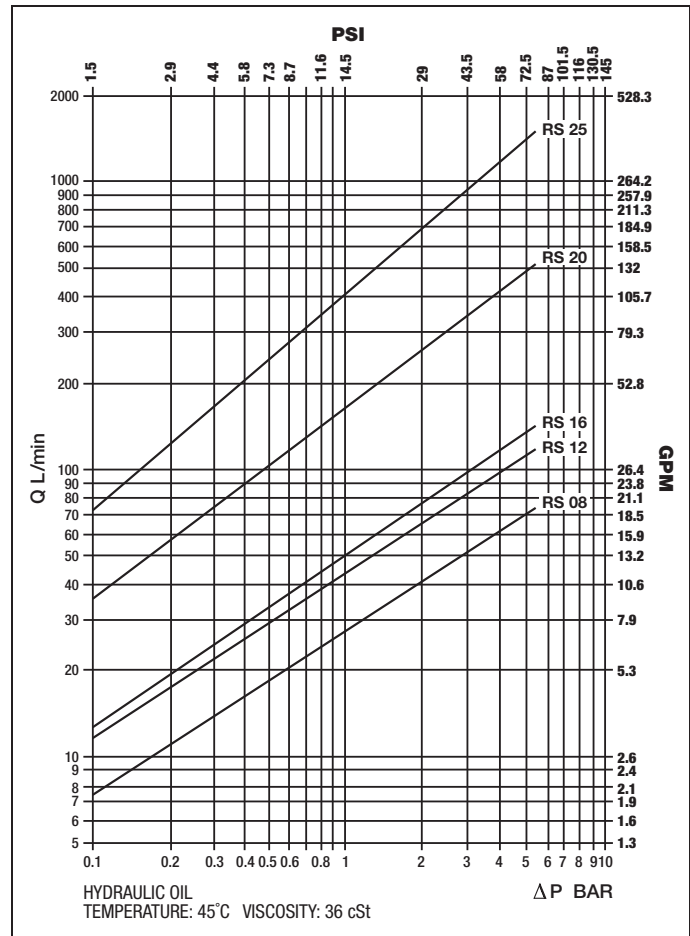
- Connect without ingress of air and disconnection without loss of fluid.
- Screw connection mechanism avoids use of locking balls and so eliminates the risk of Brinelling.
- Can be connected by hand with up to 20 bar (290 psi) pressure in each hydraulic hose line and up to 50 bar (725 psi) with hand tools.

### MATERIALS

Hardened carbon steel body, zinc plated, nitrile seals.

See individual charts on the following page for order codes

### Pressure Drop Characteristics



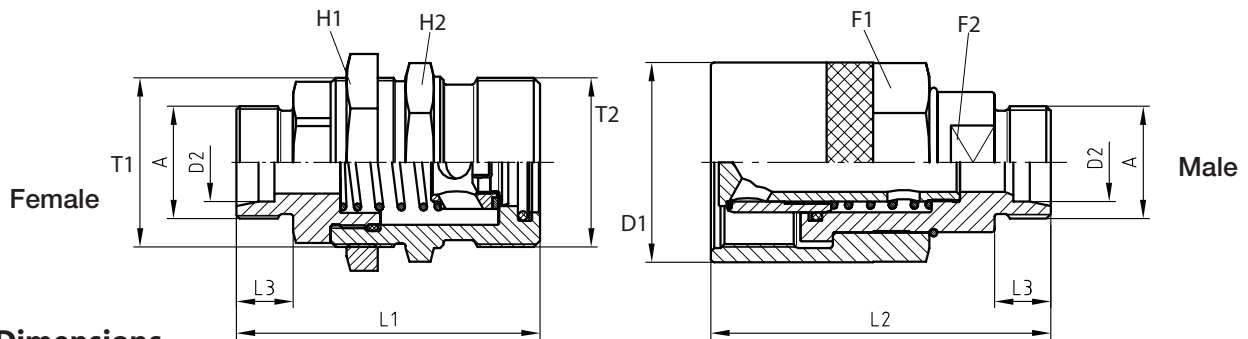
### Pressure Ratings

	RS08	RS12	RS16	RS20	RS25
	bar				
	psi				
Max. Working Pressure Coupled	420	300	320	300	420
Burst Pressure Coupled	5800	4350	4640	4350	6090
Burst Pressure Male	500	700	1280	700	900
Burst Pressure Female	1150	1000	1280	1250	1100



**Holmbury**

**RS SERIES, SCREW TO CONNECT ZERO LEAKAGE COUPLINGS**



**Male Dimensions**

Type	D1	F1	F2	Port A	D2	L2	L3	Part No.	Weight (kg)
RS08	39	32	22	M14X1.5	8L	62	10	RS08-2-L0814	.305
				M16X1.5	10L	63	11	RS08-2-L1016	.305
				M18X1.5	12L	63	11	RS08-2-L1218	.305
				M22X1.5	15L	63	12	RS08-2-L1522	.305
				M18X1.5	10S	64	12	RS08-2-S1018	.315
				M20X1.5	12S	64	12	RS08-2-21220	.315
				M22X1.5	14S	66	14	RS08-2-S1422	.315
				RS12	54	46	24	M22X1.5	15L
M24X1.5	16S	72	14					RS12-2-S1624	.537
RS16	59	60	NA	M22X1.5	15L	75	12	RS16-2-L1522	.940
				M26X1.5	18L	75	12	RS16-2-L1826	.943
				M24X1.5	16S	77	14	RS16-2-S1624	.945
				M30X2	20S	79	16	RS16-2-S2030	.949
RS20	64	55	41	M26X1.5	18L	103	12	RS20-2-L1826	1.343
				M30X2	22L	105	14	RS20-2-L2230	1.351
				M36X2	28L	105	14	RS20-2-L2836	1.361
				M30X2	20S	107	16	RS20-2-S2030	1.381
				M36X2	25S	109	18	RS20-2-S2536	1.396
				M42X2	30S	111	20	RS20-2-S3042	1.416
RS25	90	NA	55	M45X2	35L	129	16	RS25-2-L3545	3.350
				M38X2	38S	136	22	RS25-2-S3852	3.385

25

Note: RS available in metric tube connection. Nut and Ferrule not included. Sizes listed are for reference only and are subject to change.

**Female Dimensions**

Type	T1	T2	H1	H2	Port A	D2	L1	L3	Part No.	Weight (kg)
RS08	M30X1	M32X3	36	36	M14X1.5	8L	54	10	RS08-1-L0814	.210
					M16X1.5	10L	54	11	RS08-1-L1016	.210
					M18X1.5	12L	54	11	RS08-1-L1218	.210
					M22X1.5	15L	54	12	RS08-1-L1522	.210
					M18X1.5	10S	54	12	RS08-1-S1018	.215
					M20X1.5	12S	54	12	RS08-1-21220	.221
					M22X1.5	14S	54	14	RS08-1-S1422	.215
					RS12	M36X1	M36X3	41	41	M22X1.5
M24X1.5	16S	63	14	RS12-1-S1624						.312
RS16	M45X1.5	M48X3	50	55	M22X1.5	15L	75	12	RS16-1-L1522	.640
					M26X1.5	18L	75	12	RS16-1-L1826	.642
					M24X1.5	16S	77	14	RS16-1-S1624	.643
					M30X2	20S	79	16	RS16-1-S2030	.646
RS20	M45X1.5	M54X4	60	55	M26X1.5	18L	90	12	RS20-1-L1826	.915
					M30X2	22L	95	14	RS20-1-L2230	.923
					M36X2	28L	95	14	RS20-1-L2836	.933
					M30X2	20S	94	16	RS20-1-S2030	.953
					M36X2	25S	96	18	RS20-1-S2536	.968
					M42X2	30S	98	20	RS20-1-S3042	.988
RS25	NA	M79X4	55	85	M45X2	35L	116	16	RS25-1-L3545	2.795
					M38X2	38S	123	22	RS25-1-S3852	2.830