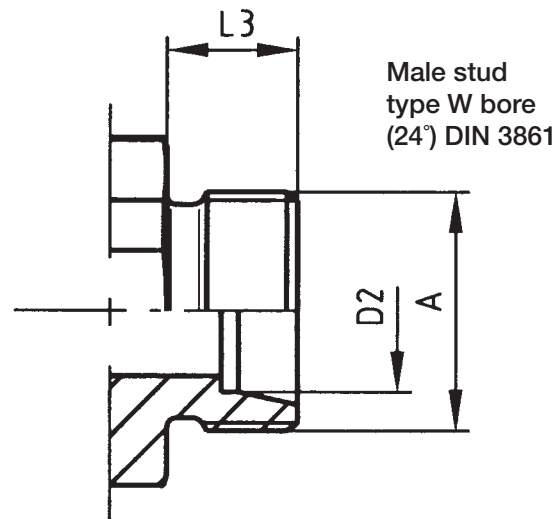
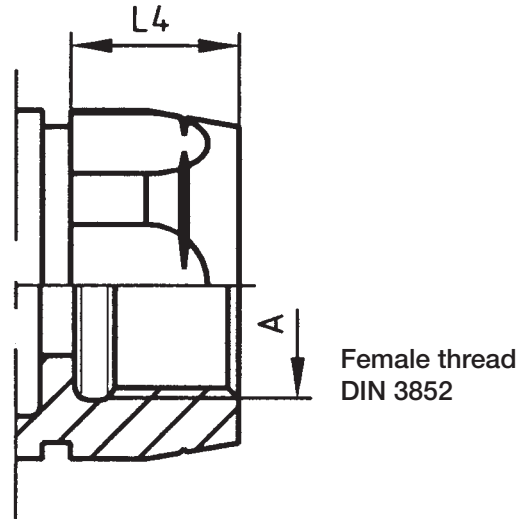




QUICKVOS™



28 INTRODUCTION

Voswinkel Types MK 24 and 74 multi coupling connectors are designed to connect up to four, size 10, flat face couplings simultaneously.

Quickvos is ideal for agricultural, municipal and commercial vehicles and construction equipment, and all types of industrial equipment where multiple hose connections need to be made simultaneously.

FEATURES

- Rapid connection and disconnection of hose lines.
- Clean connections easily attained by using dust covers and wiping the face of the couplings prior to connection.
- Couplings do not require locking balls, so Brinelling in high pressure pulse applications is eliminated.
- Prevents incorrect connection of hoses.

Order Codes

MK 74 - 8 - INF 06	
MK = Quikvos MK Series	
Style 24 74	Thread Size 06 = 3/8" 08 = 1/2"
Gender 1 = Fixed Half 2 = Mobile Half 8 = Complete Set	Thread Type INF = Female NPTF IGF = Female BSPP L = Metric Tube Fitting*

Note: Not all thread types and sizes are available as stock items. Minimum order quantity may be required. Consult factory for details.

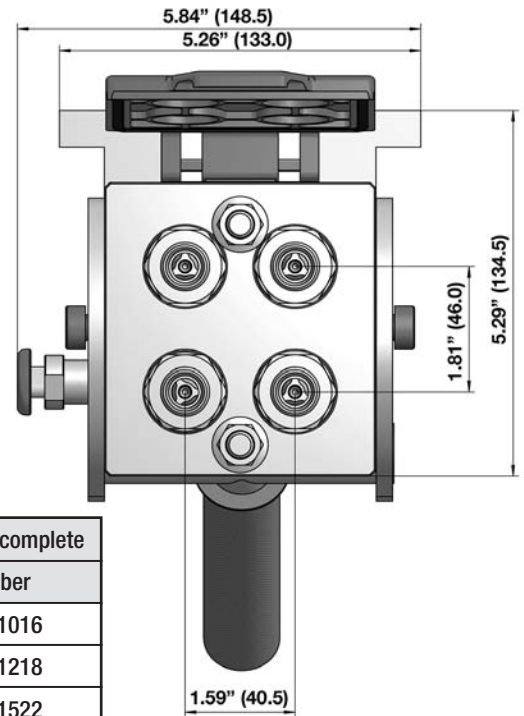
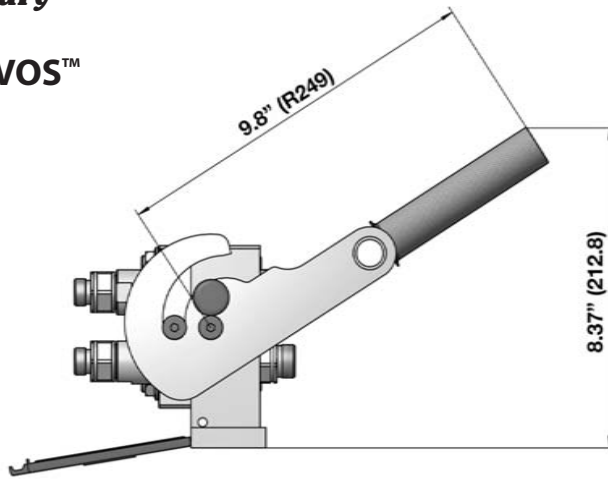
*See page 29 for metric sizes.



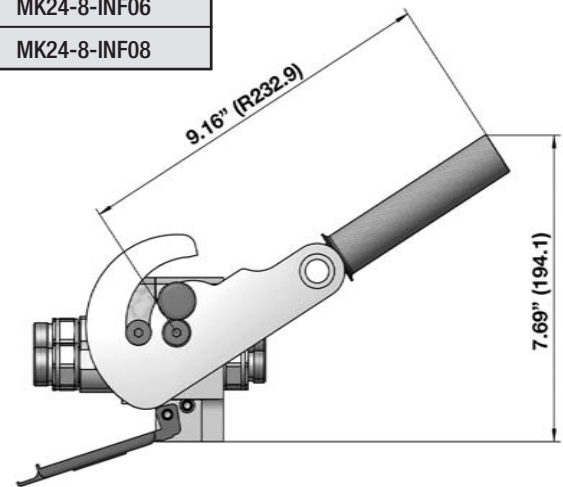
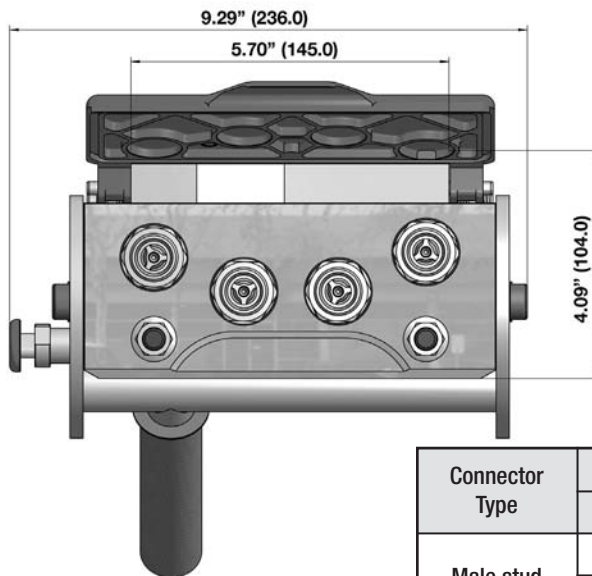
Holmbury

Multiple Coupling Connectors

QUICKVOS™



Connector Type	Thread	Tube	Fixed half	Mobile half	Multi coupling complete
	Port A	Ø D2	Part number	Part number	Part number
Male stud type W bore (24°) DIN 3861	M16 x 1.5	10L	MK24-1-L1016	MK24-2-L1016	MK24-8-L1016
	M18 x 1.5	12L	MK24-1-L1218	MK24-2-L1218	MK24-8-L1218
	M22 x 1.5	15L	MK24-1-L1522	MK24-2-L1522	MK24-8-L1522
	M26 x 1.5	18L	MK24-1-L1826	MK24-2-L1826	MK24-8-L1826
Female thread DIN3852	BSPP 3/8"	NA	MK24-1-IGF06	MK24-2-IGF06	MK24-8-IGF06
	BSPP 1/2"	NA	MK24-1-IGF08	MK24-2-IGF08	MK24-8-IGF08
	NPTF 3/8"	NA	MK24-1-INF06	MK24-2-INF06	MK24-8-INF06
	NPTF 1/2"	NA	MK24-1-INF08	MK24-2-INF08	MK24-8-INF08



Connector Type	Thread	Tube	Fixed half	Mobile half	Multi coupling complete
	Port A	Ø D2	Part number	Part number	Part number
Male stud type W bore (24°) DIN 3861	M16 x 1.5	10L	MK74-1-L1016	MK74-2-L1016	MK74-8-L1016
	M18 x 1.5	12L	MK74-1-L1218	MK74-2-L1218	MK74-8-L1218
	M22 x 1.5	15L	MK74-1-L1522	MK74-2-L1522	MK74-8-L1522
	M26 x 1.5	18L	MK74-1-L1826	MK74-2-L1826	MK74-8-L1826
Female thread DIN3852	BSPP 3/8"	NA	MK74-1-IGF06	MK74-2-IGF06	MK74-8-IGF06
	BSPP 1/2"	NA	MK74-1-IGF08	MK74-2-IGF08	MK74-8-IGF08
	BSPP 3/8"	NA	MK74-1-INF06	MK74-2-INF06	MK74-8-INF06
	BSPP 1/2"	NA	MK74-1-INF08	MK74-2-INF08	MK74-8-INF08

Sizes listed are for reference only and are subject to change.