

MACH SERIES



INTRODUCTION

26 Mach Connectors are safe, quick and easy to use even when the circuit is under pressure. Holmbury Mach Connectors are ideal for tractors and other agricultural equipment, wheel loaders, front end loaders, snow-plows, excavators, cranes and hydraulic industrial equipment.

The connection is made without errors, internal pollution of the circuits and external pollution of the environment. The couplings are enclosed to protect from dust and accidental damage.

Holmbury Mach Connectors are available in Sizes 2, 4 and 7 (Number refers to the number of hydraulic hoses that can be connected simultaneously). Mach 4 and 7 connectors can also incorporate a 6 contact electrical connector rated at 25V to 60V and up to 10A.

FEATURES

- Choice of ISO A poppet couplings or flat face couplings.
- Fast, easy connection of multiple hoses.
- Connection is possible even when the circuit has residual pressure.
- Prevents operator from making incorrect Hose Connections.
- Compact design and robust construction.
- Female couplings are protected from dust and damage within a strong box equipped with a self-closing cover.



ENGAGE

LOCK

CONNECTED

HOLMBURY MACH CONNECTORS ELIMINATE

- Connection errors that result in inverse movements, operator errors and accidents.
- Trying to make difficult connections with hands covered in slippery oil.
- Disconnecting couplings, then finding it impossible to reconnect due to pressure in the circuits.
- Broken caps or dirty connections.



Holmbury

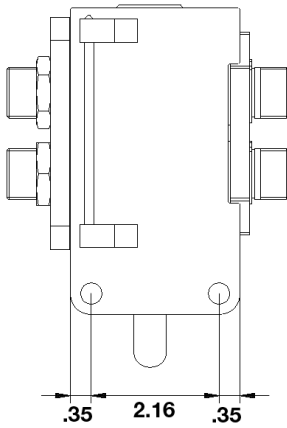
MACH SERIES

Multiple Coupling Connectors

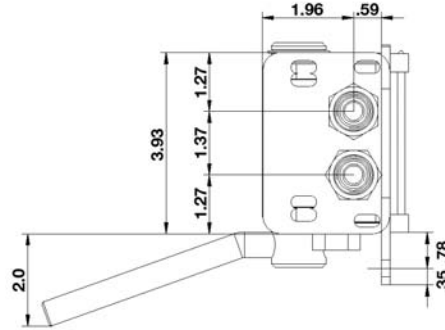
The plugs contain the male couplings.
The boxes contain the female couplings
and locking lever.

MACH 2 DIMENSIONS

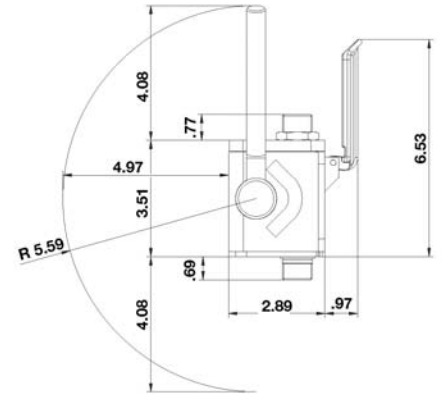
Plug



Box

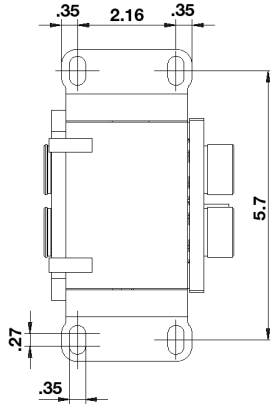


Clearance

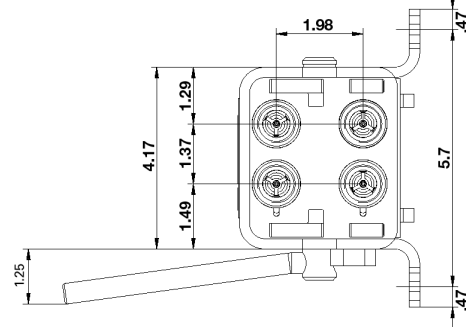


MACH 4 DIMENSIONS

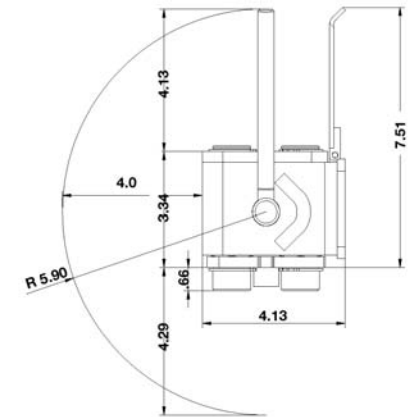
Plug



Box



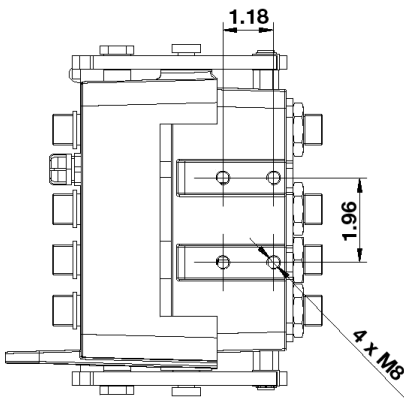
Clearance



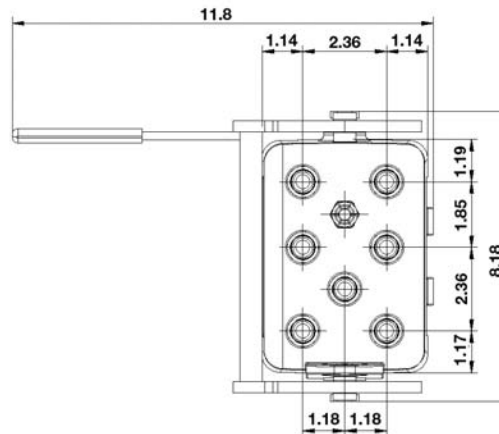
27

MACH 7 DIMENSIONS

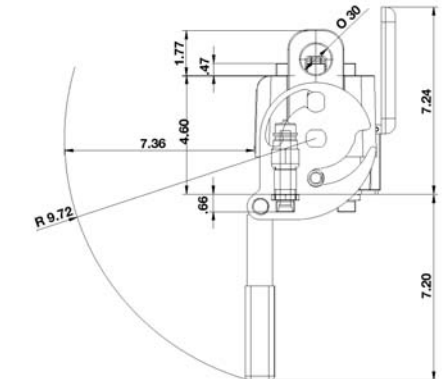
Plug



Box



Clearance



NOTE: All dimensions are for reference only. Contact Holmbury for certified dimensions.
Call factory with your specific application requirements to obtain ordering information.