



HSS SERIES

STAINLESS STEEL FLAT FACE COUPLINGS



6

INTRODUCTION

Holmbury Stainless Steel Couplings are designed for applications involving corrosive fluids and/or operation in corrosive environments. Ideal for marine, food, petrochemical and pharmaceutical applications. Dimensionally compliant with ISO 16028.

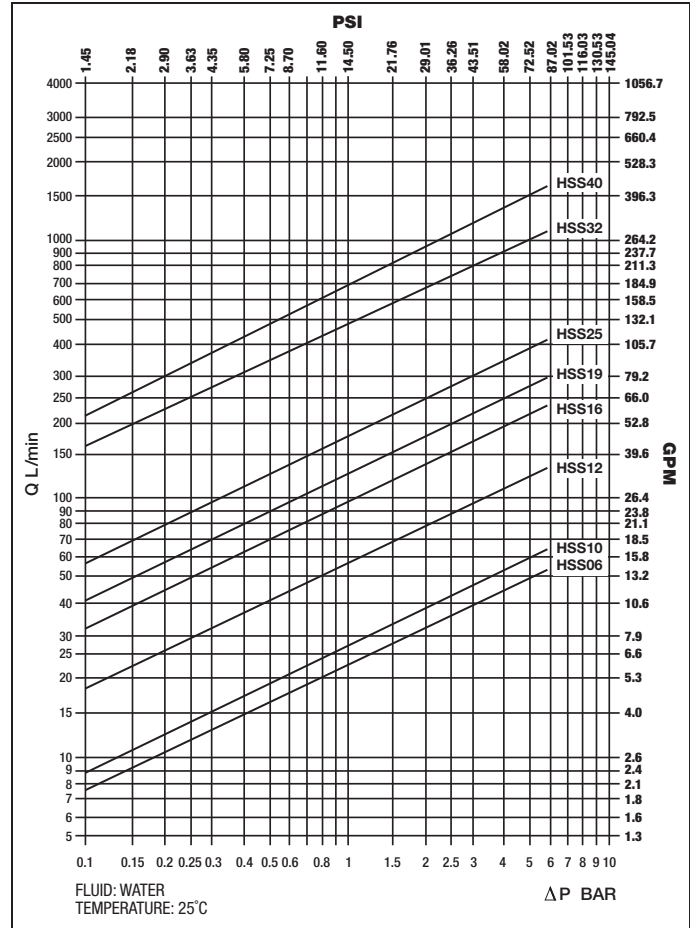
FEATURES

- 100% AISI 316 stainless steel.
- Clean disconnection – non-spill design.
- No air intrusion during connection.
- Flat faces can easily be wiped clean before connection to prevent contaminants into the system.
- Streamlined flow path minimizes pressure drop.
- Locking sleeve prevents accidental disconnection.
- Bi-directional flow.

CONSTRUCTION

- Body and structural components – AISI 316.
- Spring guide in male coupling – AISI 316.
- Locking balls – AISI 316.
- Seals – Viton. Maximum operating temperature range is -15°C (5°F) to 180°C (356°F).

Pressure Drop Characteristics



Order Codes

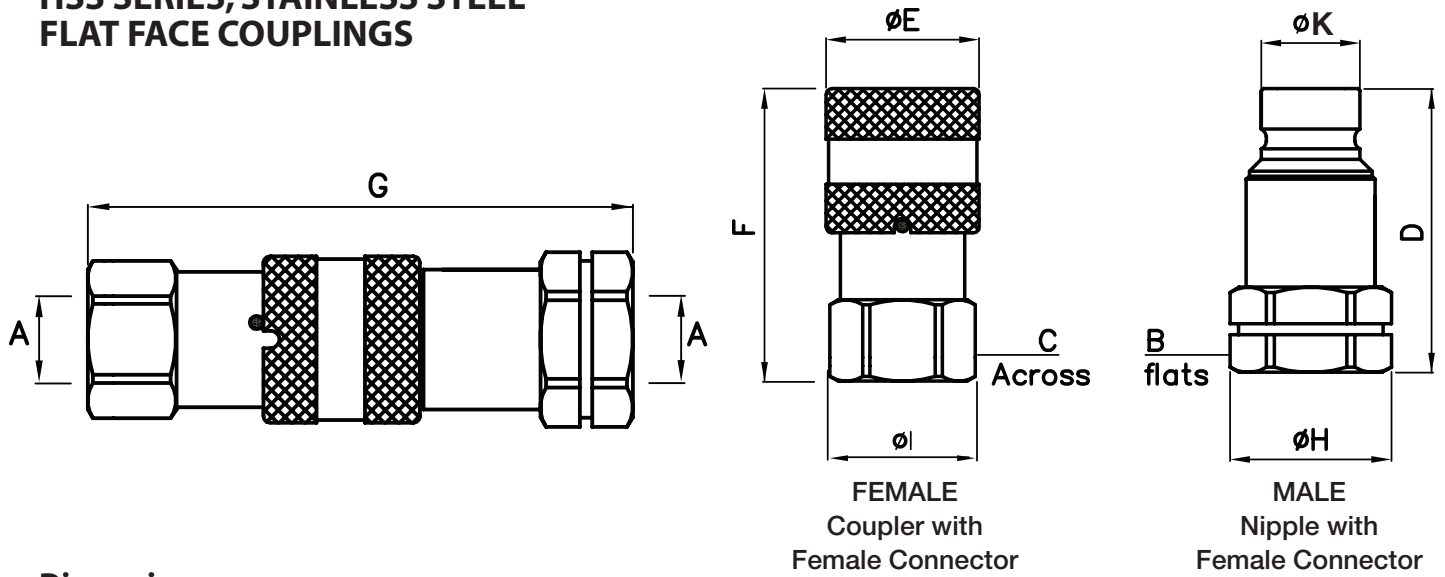
HSS 19 - M - 16 N	
HSS = HSS Series	Thread Gender M = Male Blank = Female
Body Size 06 = 1/4" 16 = 5/8" 10 = 3/8" 19 = 3/4" 12 = 1/2" 25 = 1"	Thread Form N = NPTF S = O Ring Boss G = BSPP
Gender M = Male Nipple F = Female Coupler	Thread size based on dash system 04 = 1/4" 10 = 5/8" 16 = 1" 06 = 3/8" 12 = 3/4" 20 = 1-1/4" 08 = 1/2"

Note: Viton is standard. Other seal materials available upon request. Not all thread types and sizes are available as stock items. Minimum order quantity may be required. Consult factory for details.



Holmbury

**HSS SERIES, STAINLESS STEEL
FLAT FACE COUPLINGS**



Dimensions

Model	A	B	C	D	E	F	G	H	I	K	Weight
	Port Size	Dimensions in millimeters									kg
		Dimensions in inches									lb
HSS 06	1/4"	22 0.87	22 0.87	48 1.89	28 1.10	48 1.89	86 3.39	24 0.94	24 0.94	16.2 0.64	0.25 0.55
HSS 10	3/8"	24 0.94	27 1.06	60 2.36	32 1.26	64.5 2.54	109 4.29	26 1.02	29 1.14	19.8 0.78	0.37 0.82
HSS 12	1/2"	32 1.26	32 1.26	68 2.68	38 1.50	73.5 2.89	125 4.92	35 1.38	35 1.38	24.5 0.96	0.5 1.10
HSS 16	3/4"	36 1.42	36 1.42	70.5 2.78	42 1.65	78 3.07	132 5.20	39 1.54	39 1.54	27 1.06	0.6 1.32
HSS 19	1"	45 1.77	45 1.77	82.5 3.25	48 1.89	92.5 3.64	154 6.06	48 1.89	48 1.89	30 1.18	1 2.20
HSS 25	1-1/4"	55 2.17	55 2.17	90 3.54	55 2.17	105 4.13	173 6.81	60 2.36	60 2.36	36 1.42	

Inches=mm/25.4
lbs=kg x 2.204622

Maximum Working Pressure - Coupled

HSS 06	HSS 10	HSS 12	HSS 16	HSS 19	HSS 25
BAR					
PSI					
300	250	250	200	150	100
4351.14	3625.95	3625.95	2900.76	2175.57	1450.38

Maximum Burst Pressure - Coupled

HSS 06	HSS 10	HSS 12	HSS 16	HSS 19	HSS 25
BAR					
PSI					
900	750	750	600	450	300
13053.42	10877.85	10877.85	8702.28	6526.71	4351.14

Sizes listed are for reference only and are subject to change.