



HQ SERIES

ISO 16028 COMPLIANT COUPLINGS



4

INTRODUCTION

HQ Series Couplings are designed to be used in dirty environments and where oil loss or air inclusion cannot be tolerated on connection or disconnection.

The flat face feature allows the operator to clean the coupling surfaces to prevent contamination from entering the system. Typical applications include skid steer attachments, excavator hammer circuits, hydraulic hand tools and breakers, mobile equipment, general industrial, mining and agricultural. Fully compliant with ISO 16028 for interchangeability, dimensions and performance.

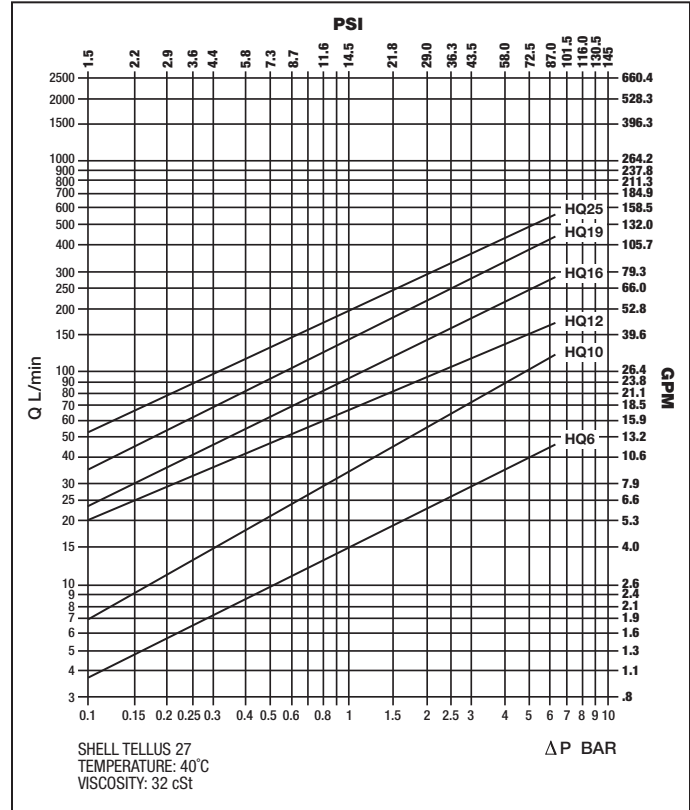
FEATURES

- Swaged stem seal prevents washout.
- Internal spring placement reduces turbulence, decreases pressure drop and improves flow.
- Zinc Nickel finish is chrome VI free and corrosion resistant in excess of 200 hours during salt spray testing.
- No locking nut or retaining clip that can break and cause system damage.

CONSTRUCTION

Heat treated carbon steel body plated with zinc nickel. Seals are nitrile.

Pressure Drop Characteristics



SPECIFICATIONS

- Operating temperature: -20°C (-4°F) to 100°C (212°F).
- Connection under pressure difficult to impossible with residual pressure (see HCP or Screw to Connect Couplings).

Order Codes

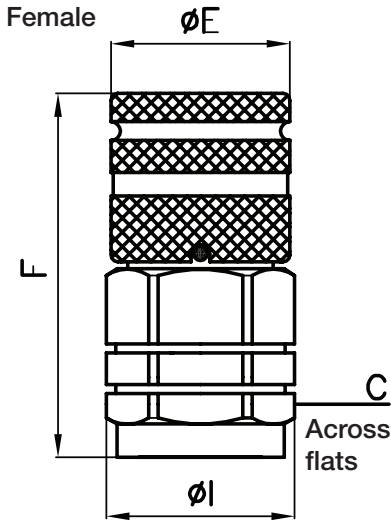
HQ 19 - M - 16 N	
HQ = HQ Series	Thread Gender M = Male Blank = Female
Body Size 06 = 1/4" 16 = 5/8" 10 = 3/8" 19 = 3/4" 12 = 1/2" 25 = 1"	Thread Form N = NPTF S = O Ring Boss G = BSPP
Gender M = Male Nipple F = Female Coupler	Thread size based on dash system 02 = 1/8" 08 = 1/2" 16 = 1" 04 = 1/4" 10 = 5/8" 20 = 1-1/4" 06 = 3/8" 12 = 3/4"

Note: Not all thread types and sizes are available as stock items. Minimum order quantity may be required. Consult factory for details.



Holmbury

**HQ SERIES, ISO 16028
COMPLIANT COUPLINGS**

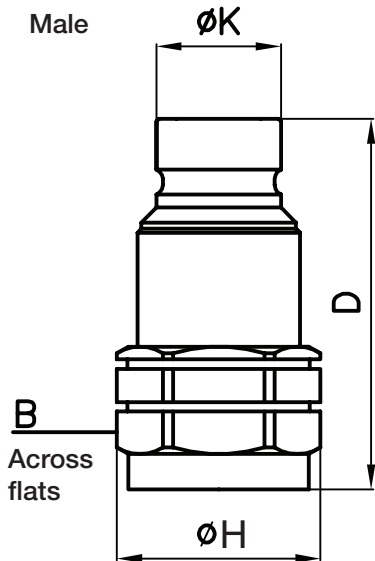


Female Coupler Dimensions

Type and Size	Body Size	Sleeve Dia. E	Body Dia. I	OAL F	Hex C	Coupled Length	Weight
	mm	Dimensions in millimeters					kg
	inches	Dimensions in inches					lb
HQ06	6	29	29	53	27	90.5	.20
	.25	1.14	1.14	2.09	1.06	3.56	.45
HQ10	10	32	32	69	30	113	.26
	.375	1.26	1.26	2.72	1.18	4.45	.57
HQ12	12	38	40	83.5	36	137	.46
	.5	1.50	1.57	3.29	1.42	5.39	1.01
HQ16	16	42	45	84	41	140	.62
	.625	1.65	1.77	3.31	1.61	5.51	1.37
HQ19	19	48	50	99	46	161.5	.98
	.75	1.89	1.97	3.90	1.81	6.36	2.16
HQ25	24	55	60	106	55	174	1.32
	1	2.17	2.36	4.17	2.17	6.85	2.91

Inches=mm/25.4 lbs=kg x 2.204622

Male Nipple Dimensions



Type and Size	Body Size	OAL D	Diameter H	Hex B	Nose K	Weight
	mm	Dimensions in millimeters				kg
	inches	Dimensions in inches				lb
HQ06	6	48	24	22	16.2	.08
	.25	1.89	.94	.87	.64	.2
HQ10	10	60	29	27	19.8	.12
	.375	2.36	1.14	1.06	.78	.26
HQ12	12	71.5	40	36	24.5	.26
	.5	2.81	1.57	1.42	.96	.57
HQ16	16	73	38.5	41	27	.30
	.625	2.87	1.52	1.61	1.06	.66
HQ19	19	84	50	46	30	.52
	.75	3.31	1.97	1.81	1.18	1.15
HQ25	90	90	60	55	36	.7
	1	3.54	2.36	2.17	1.42	1.54

Inches=mm/25.4 lbs=kg x 2.204622

Pressure Ratings

	HQ06	HQ10	HQ12	HQ16	HQ19	HQ25
	bar					
	psi					
Max. Working Pressure Coupled	400	375	350	350	350	350
	5800	5440	5075	5075	5075	5075
Burst Pressure Coupled	1600	1550	1400	1500	1450	1000
	23,306	21,755	21,755	21,755	21,030	14,504
Burst Pressure Male	1850	1200	1300	1200	1100	1000
	25,832	17,405	17,405	17,405	17,405	14,504
Burst Pressure Female	1220	1050	1000	1050	1050	1000
	13,695	17,405	15,230	15,230	15,230	14,506



HQ Series Dust Cap

For more information on dust caps and order information, see page 38

Standard threads are NPTF, ORB and BSPP. Other threads available upon request.

Sizes listed are for reference only and are subject to change.