



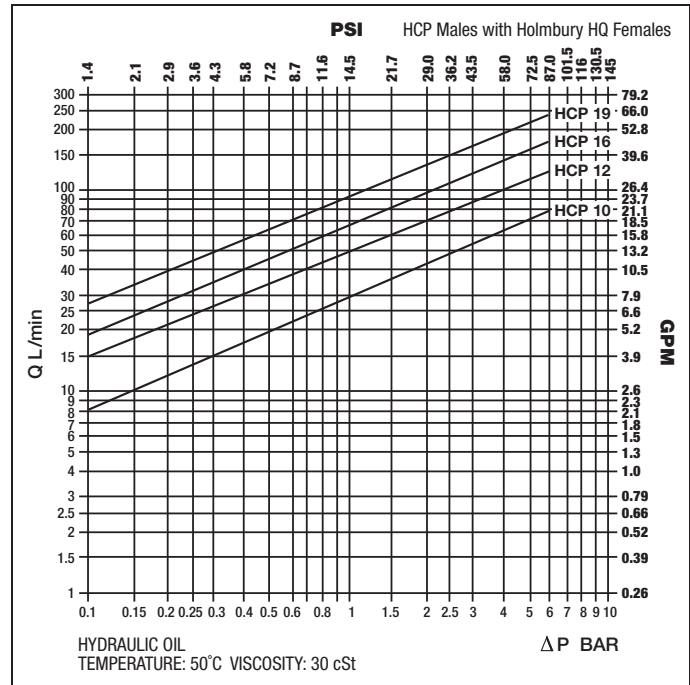
# HCP SERIES

## MALE COUPLINGS FOR CONNECTION UNDER PRESSURE



8

### Pressure Drop Characteristics



### INTRODUCTION

Holmbury HCP Series Male Couplings will connect, by hand, with static pressure up to 350 bar (5,075 psi) locked in the male half, without releasing any fluid to the environment. The hose line to the female must be at zero pressure. Dimensionally compliant with ISO 16028.

### FEATURES

- Connects under high pressure, by hand.
- Flat faces can easily be wiped clean before connection to prevent the ingress of contaminants into the circuit.
- No air intrusion during connection.
- Clean disconnection - non-spill design.
- Coupling can rotate while connected.
- Bi-directional flow

### CONSTRUCTION

Heat treated carbon steel, zinc plated, PTFE and nitrile seals.

### SPECIFICATIONS

- Operating temperature: -20°C (-4°F) to 100°C (212°F).
- Connect with up to 350 bar (5,075 psi) static pressure on male side.

### Order Codes

<b>HCP 19 - M - 16 N</b>	
<b>HCP =</b> HCP Series	<b>Thread Gender</b> M = Male Blank = Female
<b>Body Size</b> 10 = 3/8" 12 = 1/2" 16 = 5/8" 19 = 3/4"	<b>Thread Form</b> N = NPTF S = O Ring Boss G = BSPP
<b>Gender</b> Only available in Male	<b>Thread size based on dash system</b> 06 = 3/8" 10 = 5/8" 16 = 1" 08 = 1/2" 12 = 3/4"

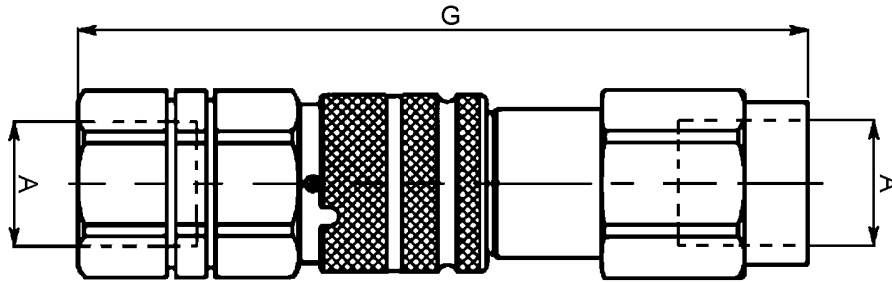
Note: Not all thread types and sizes are available as stock items. Minimum order quantity may be required. Consult factory for details.



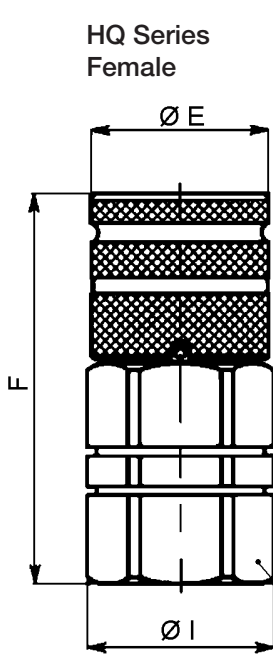
**Holmbury**

**HCP SERIES, MALE COUPLINGS, FOR CONNECTION UNDER PRESSURE**

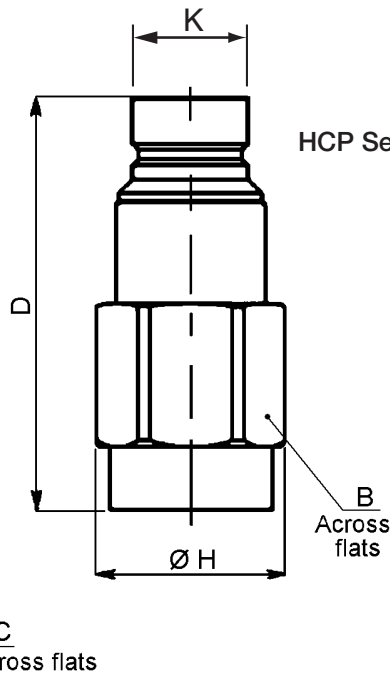
HCP Series Male  
connected to a  
HQ Series Female



HQ Series  
Female



HCP Series Male



**Pressure Ratings\***

	HCP10	HCP12	HCP16	HCP19
	bar			
	psi			
Max. Working Pressure Coupled	375	350	350	350
	5440	5075	5075	5075
Burst Pressure Coupled	1100	1100	1100	1100
	15,995	15,995	15,995	15,995
Burst Pressure Male	1100	1100	1100	1100
	15,995	15,995	15,995	15,995

\*Note: When coupled to an HQ female.

**Dimensions**

Type and Size	Body Size	A	B	C	D	E	F	G	H	I	Weight
	mm	Dimensions in millimeters									kg
	inches	Dimensions in inches									lb
HCP 10	10	NPTF 1/2"	27	30	80	32	64.5	135	29	32	0.44
	.375		1.06	1.18	3.15	1.26	2.54	5.31	1.14	1.26	0.97
HCP 12	12	NPTF 3/4"	36	36	93.5	38	83.5	161	38.5	40	0.87
	.5		1.42	1.42	3.68	1.50	3.29	6.34	1.52	1.57	1.92
HCP 16	16	NPTF 3/4"	36	41	95	42	83.6	162	38.5	45	1.06
	.625		1.42	1.61	3.74	1.65	3.29	6.38	1.52	1.77	2.34
HCP 19	19	NPTF 1"	46	46	109	48	98.5	186	50	50	1.69
	.75		1.81	1.81	4.29	1.89	3.88	7.32	1.97	1.97	3.73

Inches=mm/25.4  
lbs=kg x 2.204622

Sizes listed are for reference only and are subject to change.

1.866.465.6287

www.holmburyUSA.com