



GG SERIES

IN-LINE TYPE CONFIGURATION



INTRODUCTION

Holmbury's Rotary Couplings are used to protect hydraulic lines that are subjected to torsional forces or rotational motion.

FEATURES

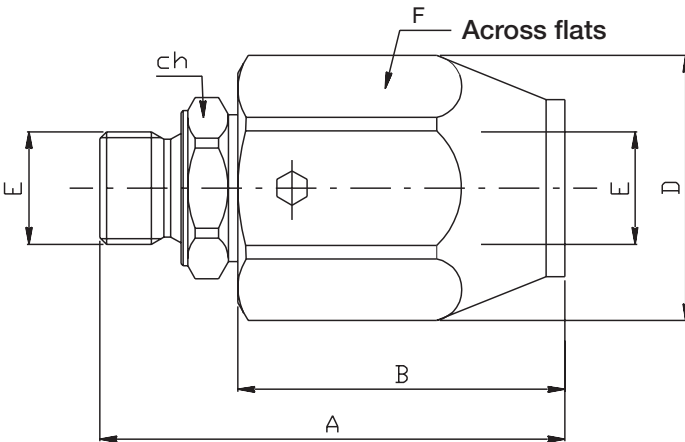
- Available in both in-line and 90 degree configurations.
- Can rotate at maximum pressure with low torque.

CONSTRUCTION

High quality construction. The spindle is carried on a roller bearing and has a low friction shaft seal. Zinc plated, hardened steel body. Choice of BSP, NPT, or SAE port threads. Optional chrome plated body, metric threads and viton seals available.

Order Codes

	GG	IL	03	G
GG = GG Series				Threads G = BSPP N = NPTF S = SAE (O-Ring Boss)
IL = In-Line Type				
90 = 90° Type				
				Size (See chart below)



Note: Not all thread types and sizes are available as stock items. Minimum order quantity may be required. Consult factory for details.

Dimensions (GGIL, In-Line Type)

Size	Rotary S Speed (RPM)	Max. Oper. Pressure	Maximum Flow	A	B	D	E	E	*F	CH	Weight
		Bar	LPM	Dimensions in millimeters			BSP/NPTF	SAE	millimeters		kg
		PSI	GPM	Dimensions in inches					inches		lb
01	500	400	25	62	42	33	1/4"		30	19	0.21
		5801.5	5.5	2.44	1.65	1.30			1.18	0.75	0.46
02	400	400	45	65	44	37	3/8"	1/2"	34	24	0.27
		5801.5	9.9	2.56	1.73	1.46			1.34	0.94	0.60
03	370	360	80	74	50	40	1/2"	5/8"	36	27	0.33
		5221.4	17.6	2.91	1.97	1.57			1.42	1.1	0.73
04	280	310	120	80	50	49	3/4"	3/4"	45	34	0.54
		4496.2	26.4	3.15	1.97	1.93			1.77	1.34	1.19
05	230	280	150	90	57	60	1"	1"		41	1.03
		4061.1	33	3.54	2.24	2.36				1.61	2.27
06	200	250	200	98	63	60	1-1/4"	1-1/4"		50	1.14
		3626	44	3.86	2.48	2.36				2.0	2.51
07	170	210	250	108	70	70	1-1/2"	1-1/2"		55	1.68
		3045.8	55	4.25	2.76	2.76				2.17	3.70
09	140	180	300	115	76	85	2"			65	2.52
		2610.7	66	4.53	2.99	3.35				2.60	5.56

*Note: Sizes 1, 2, 3, 4 are made from Hex Stock. Sizes 5, 6, 7, 9 are made from Round Stock - See dimension D (ø). Inches=mm/25.4 lbs=kg x 2.204622