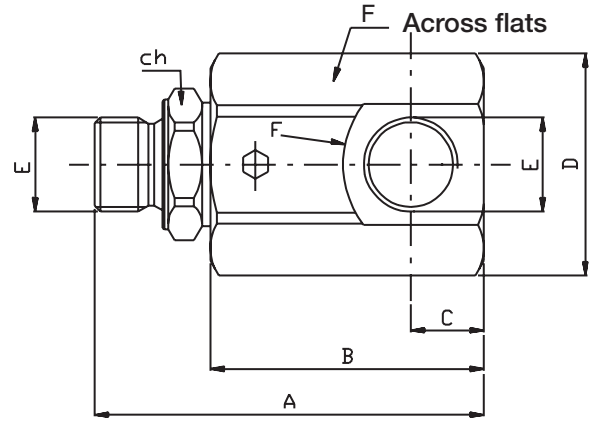




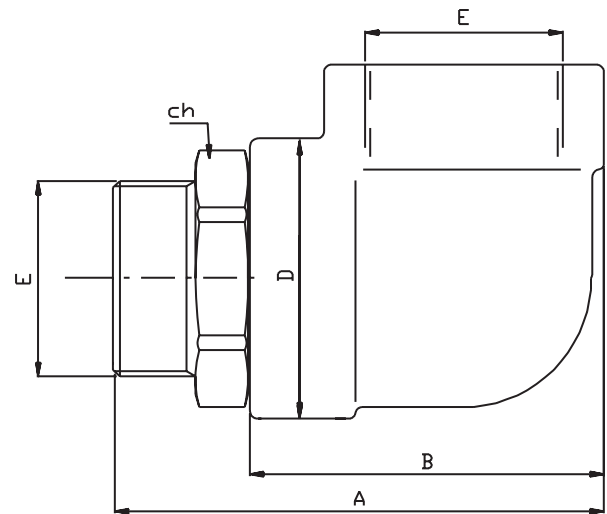
**Holmbury**

# GG SERIES

## 90° TYPE CONFIGURATION



Dimensions for sizes 01, 02, 03, 04, 05



Dimensions for sizes 06, 07, 09

### Order Codes

<b>GG</b>	<b>IL</b>	<b>03</b>	<b>G</b>
<b>GG</b> = GG Series			<b>Threads</b> G = BSPP N = NPTF S = SAE (O-Ring Boss)
<b>IL</b> = In-Line Type			<b>Size</b> (See chart below)
<b>90</b> = 90° Type			

Note: Not all thread types and sizes are available as stock items. Minimum order quantity may be required. Consult factory for details.

### Dimensions (GG90, 90° Type)

Size	Rotary S Speed (RPM)	Max. Oper. Pressure	Maximum Flow	A	B	C	D	E	E	*F	CH	Weight
		Bar	LPM	Dimensions in millimeters				BSPP-NPTF	SAE	millimeters		kg
		PSI	GPM	Dimensions in inches						inches		lb
01	500	400	25	71	50	11	33	1/4"		30	19	0.21
		5801.5	5.5	2.80	1.97	0.43	1.30			1.18	0.7	0.46
02	400	400	45	77	56	15	38	3/8"	1/2"	34	24	0.27
		5801.5	9.9	3.03	2.20	0.59	1.50			1.34	0.9	0.60
03	370	360	80	86	63	17	43	1/2"	5/8"	38	27	0.33
		5221.4	17.6	3.39	2.48	0.67	1.70			1.50	1.1	0.73
04	280	310	120	100	70	20	56	3/4"	3/4"	50	34	0.54
		4496.2	26.4	3.94	2.76	0.79	2.20			1.97	1.30	1.19
05	230	280	150	113	80	23	60	1"	1"		41	1.03
		4061.1	33	4.45	3.15	0.91	2.40				1.60	2.27
06	200	250	200	118	83	32	63	1-1/4"	1-1/4"		50	1.74
		3626	44	4.65	3.27	1.26	2.50				2.0	3.84
07	170	210	250	138	100	38	79	1-1/2"	1-1/2"		55	3.00
		3045.8	55	5.43	3.94	1.50	3.10				2.17	6.61
09	140	180	300	152	110	43	85	2"			65	3.76
		2610.7	66	5.98	4.33	1.69	3.30				2.60	8.29

\*Note: Sizes 1, 2, 3, 4 are made from Hex Stock. Sizes 5, 6, 7, 9 are made from Round Stock - See dimension D (ø). Inches=mm/25.4 lbs=kg x 2.204622